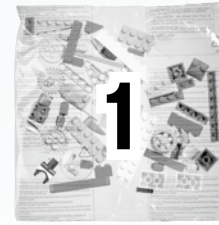
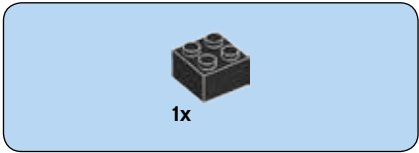


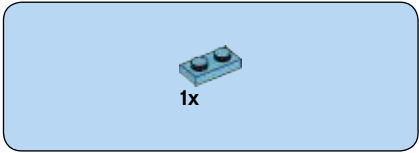
1x

+ 3x





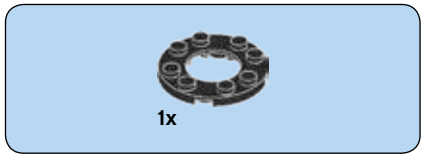
1



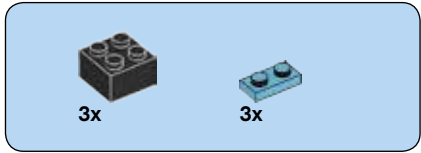
2



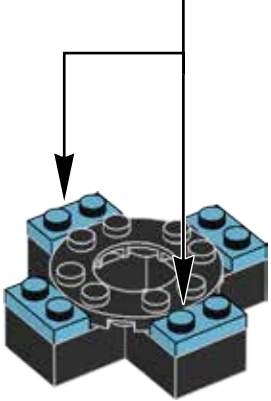
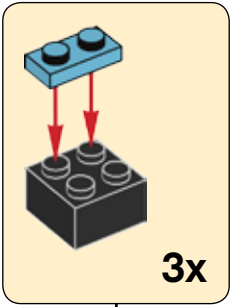
1

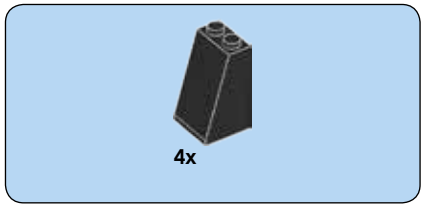


3

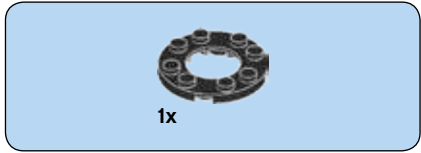
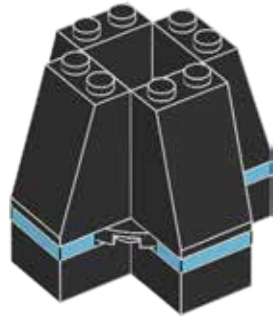


4



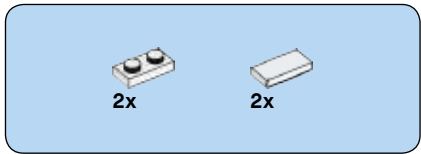


5



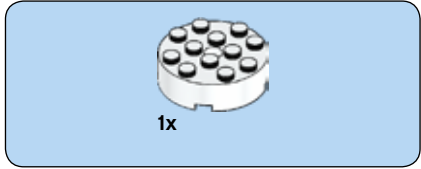
6



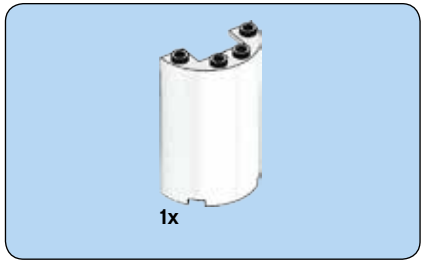


7





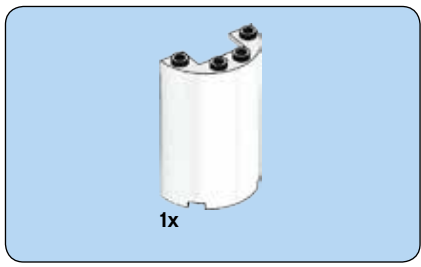
8



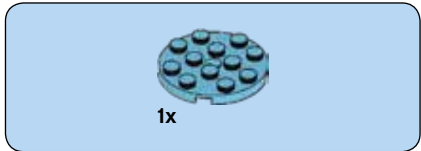
9



1

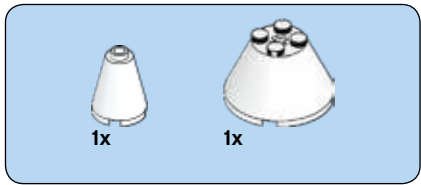


10



11



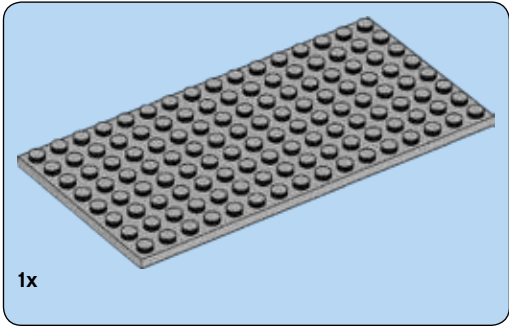
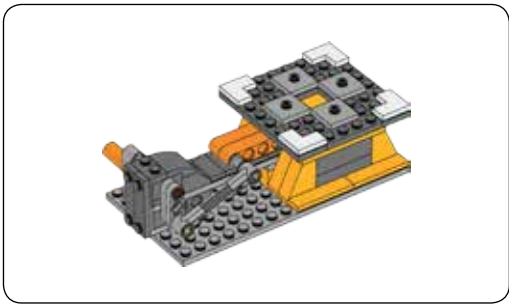


12

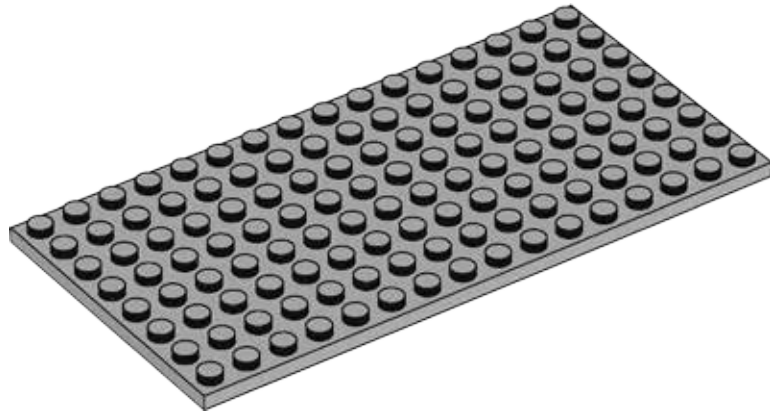


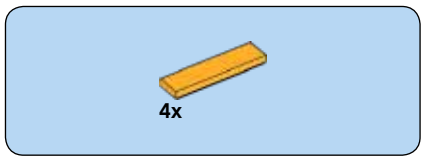
13



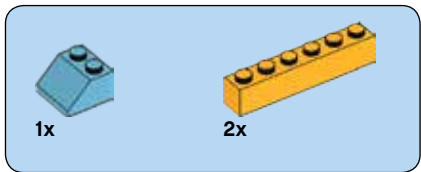
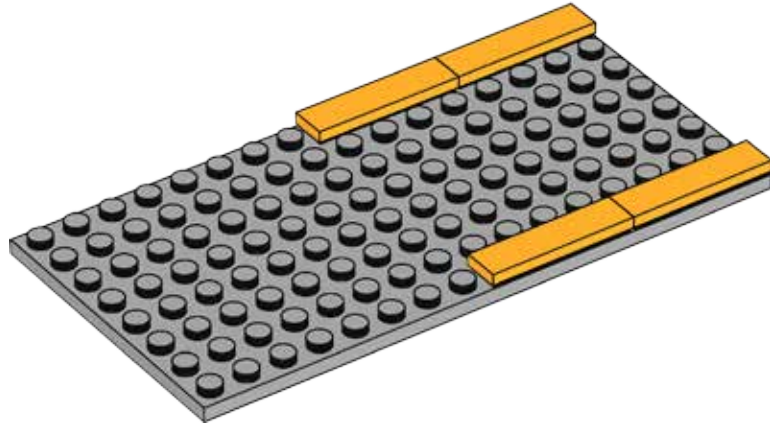


14

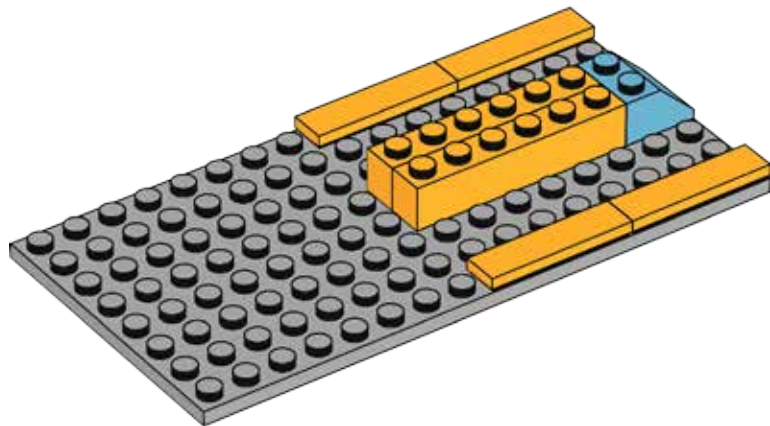


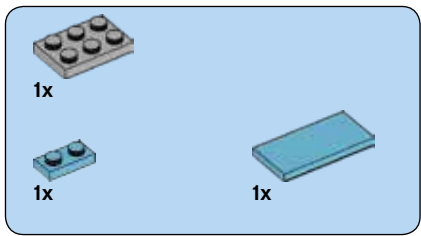


15

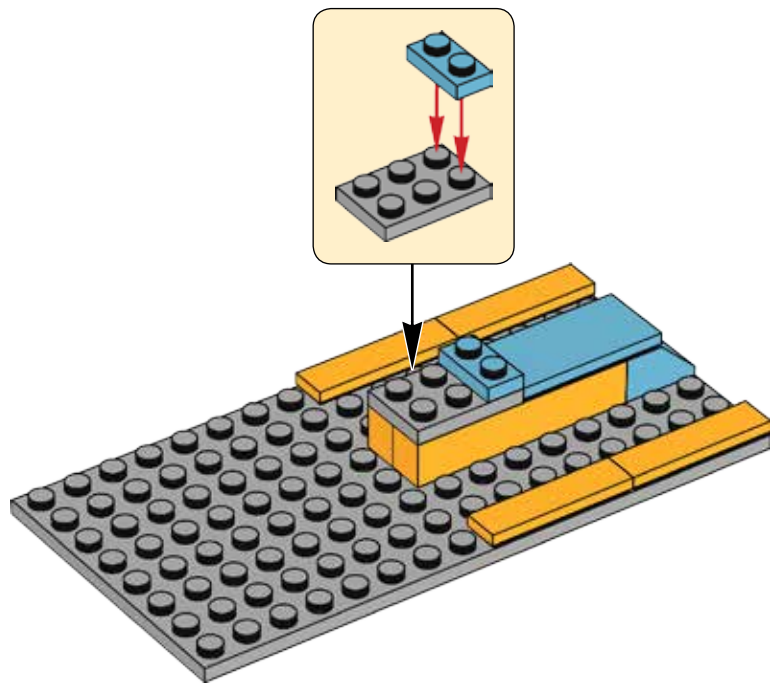


16

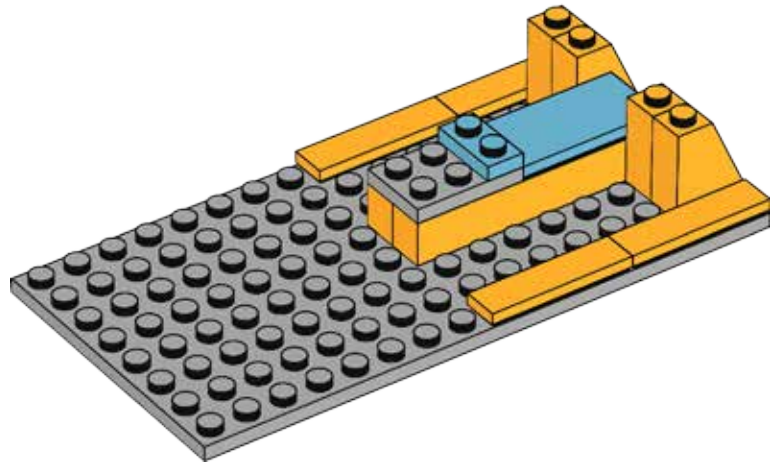


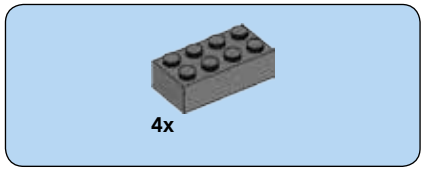


17

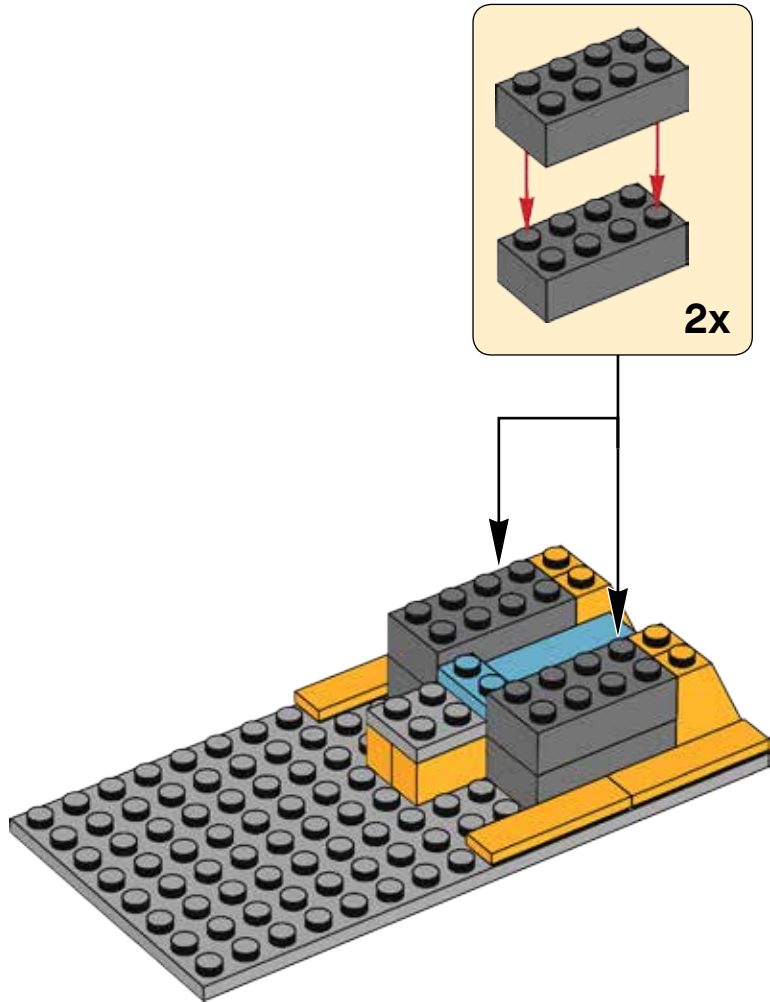


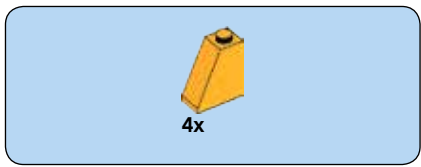
18



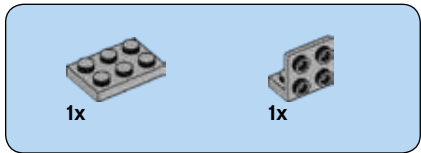
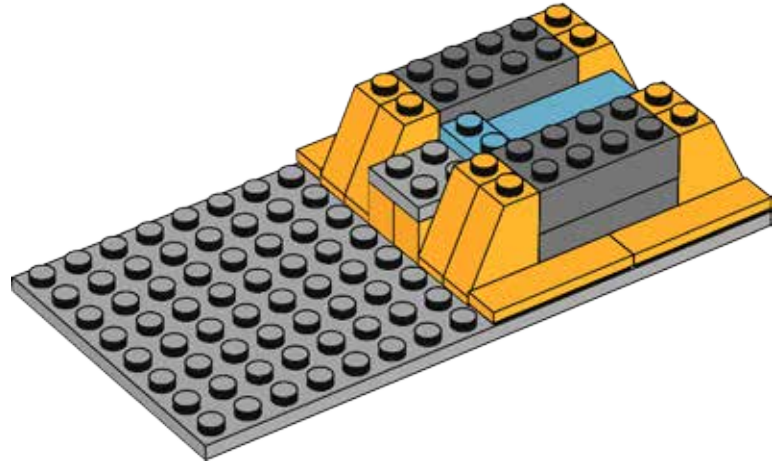


19

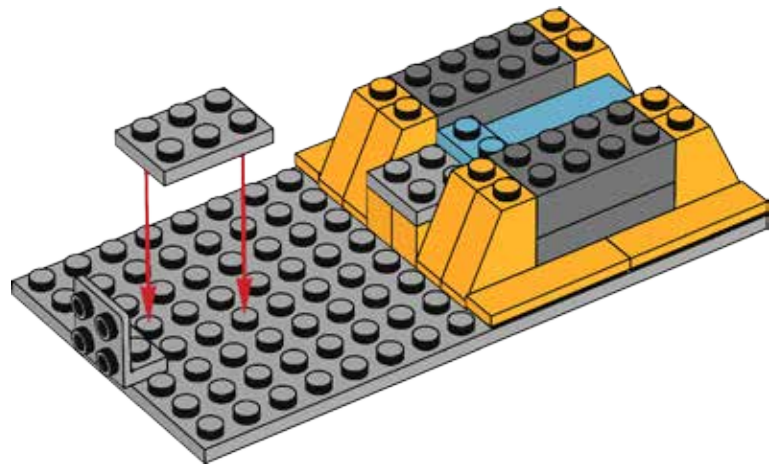


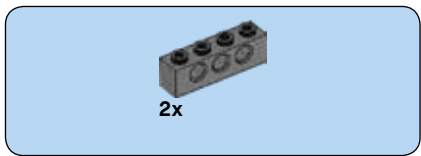


20

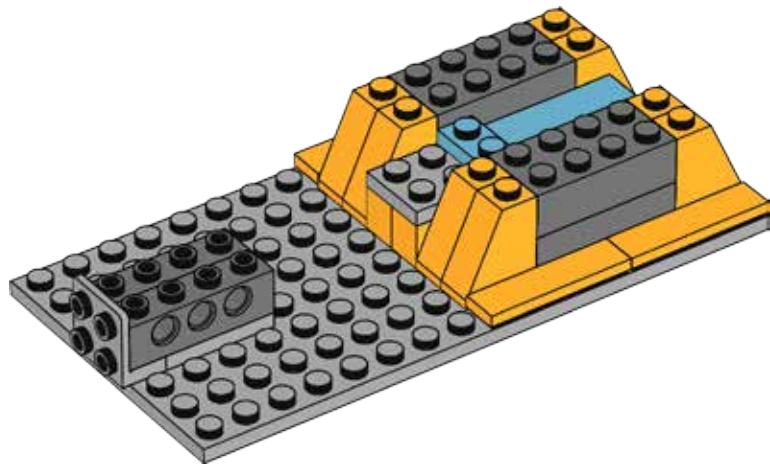


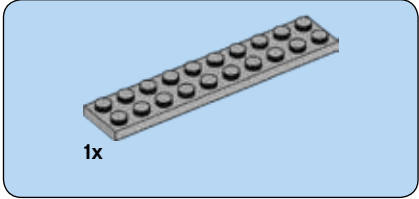
21



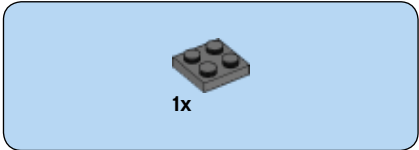
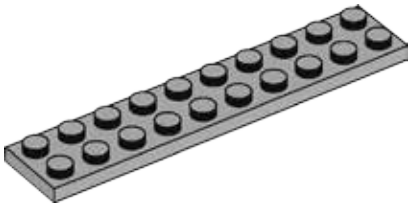


22





23

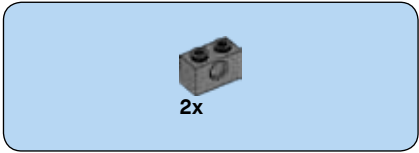
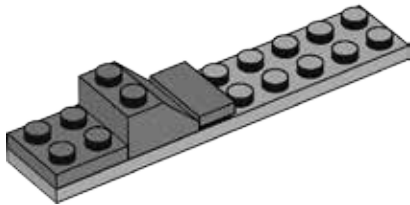


24

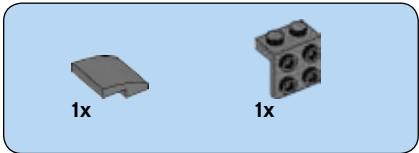
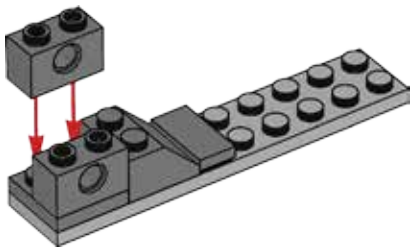




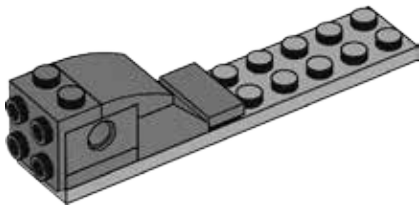
25

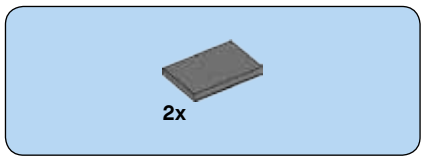


26

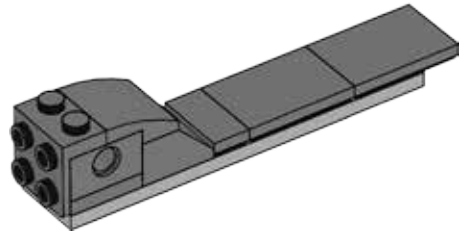


27

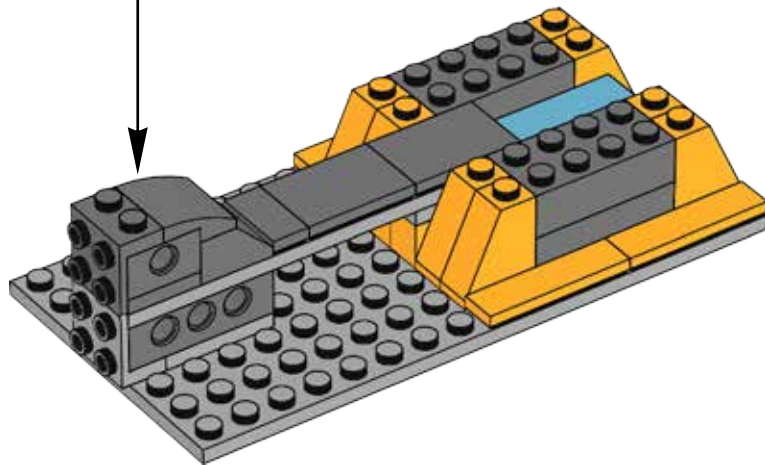


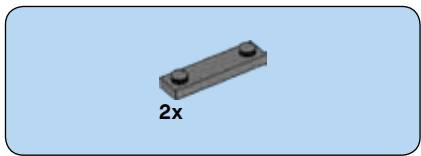


28

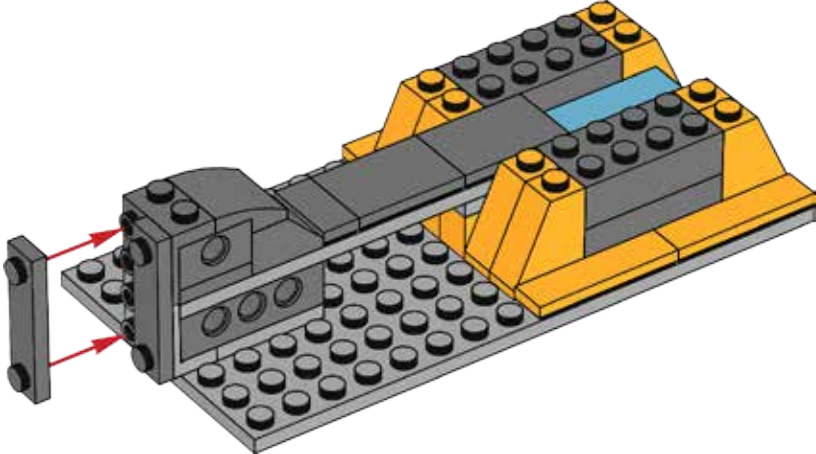


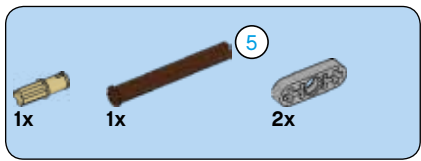
29



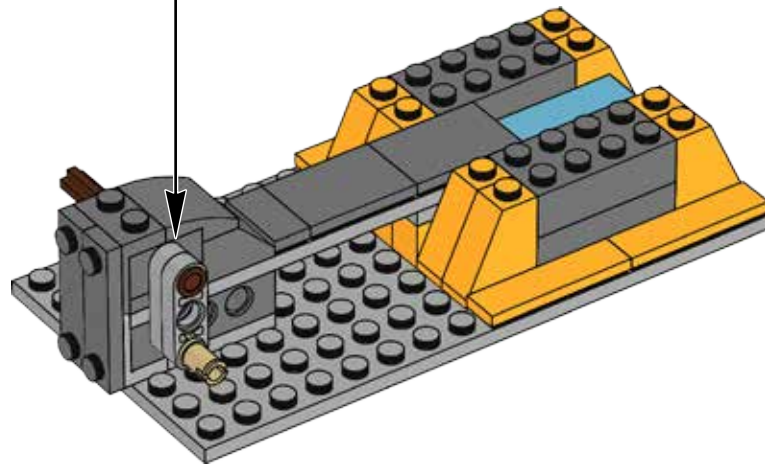
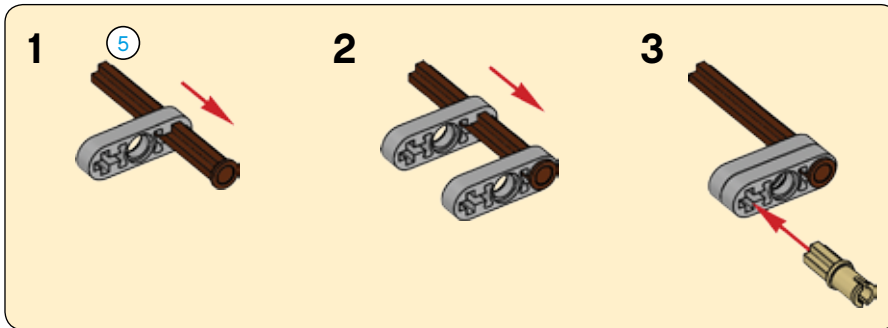


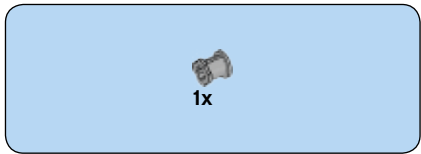
30



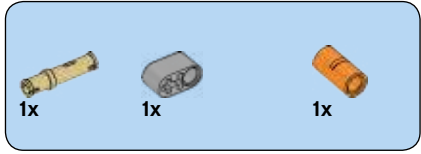
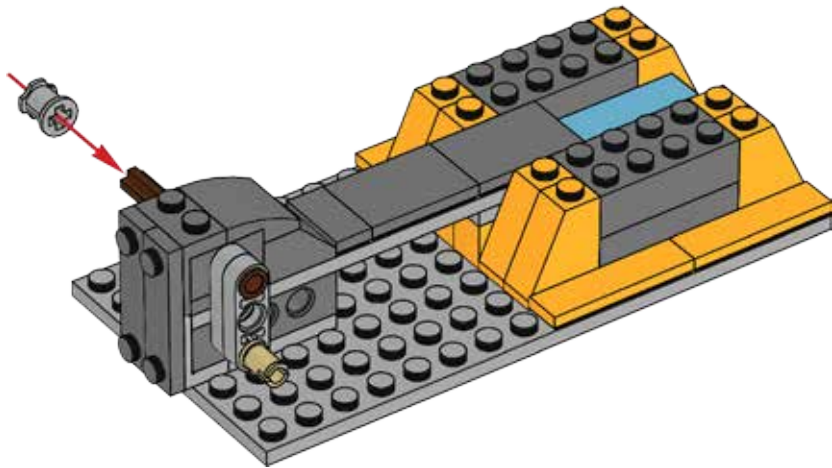


31

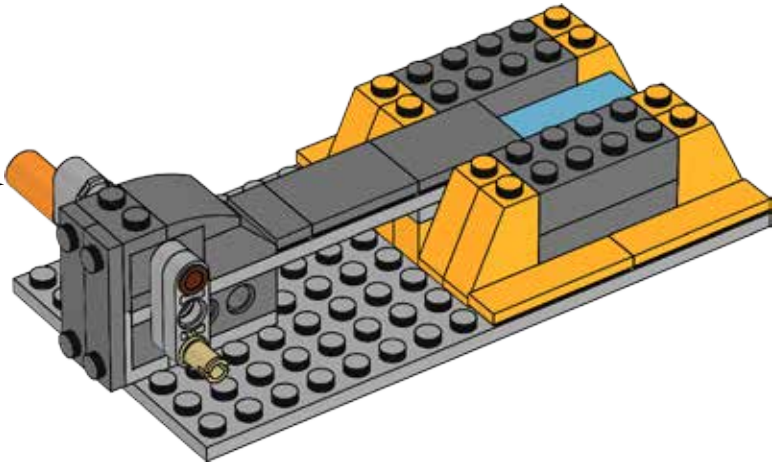
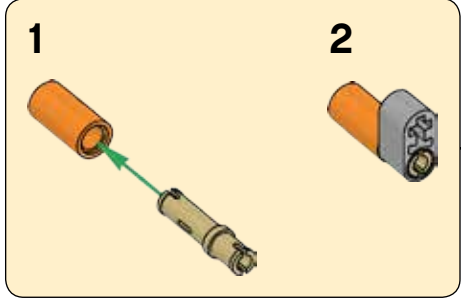


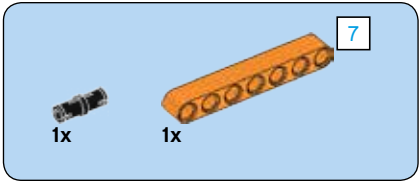
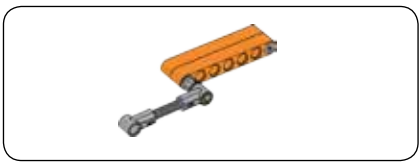


32

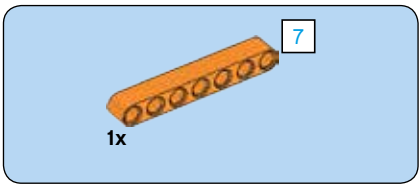
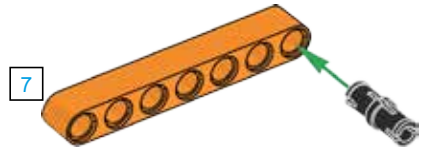


33

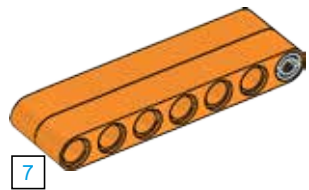


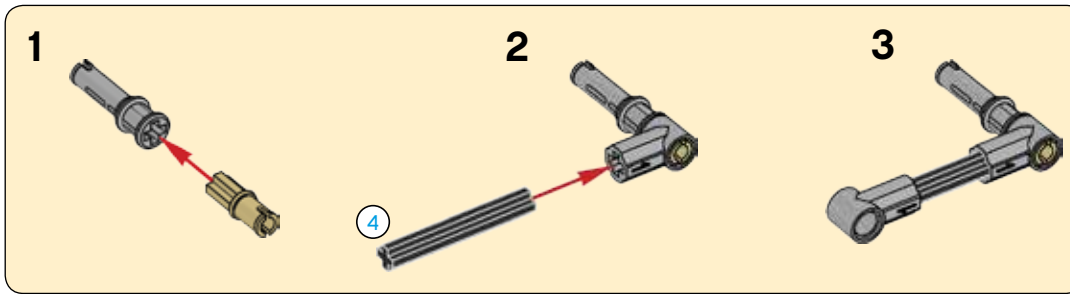
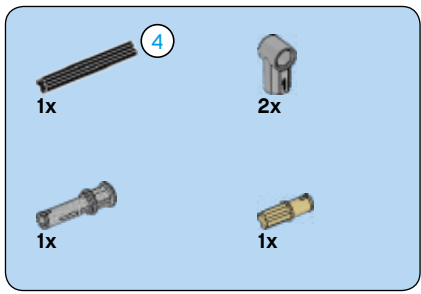


34

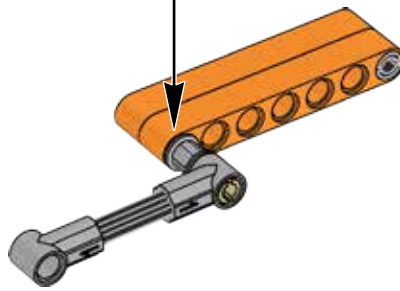


35

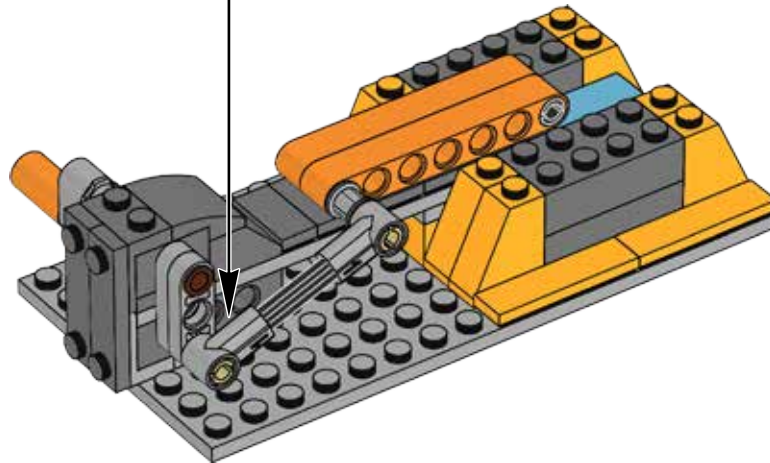


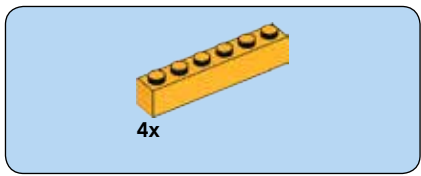


36

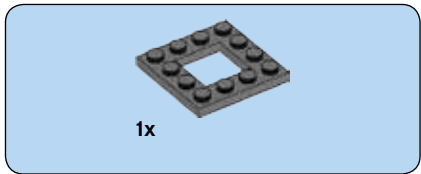
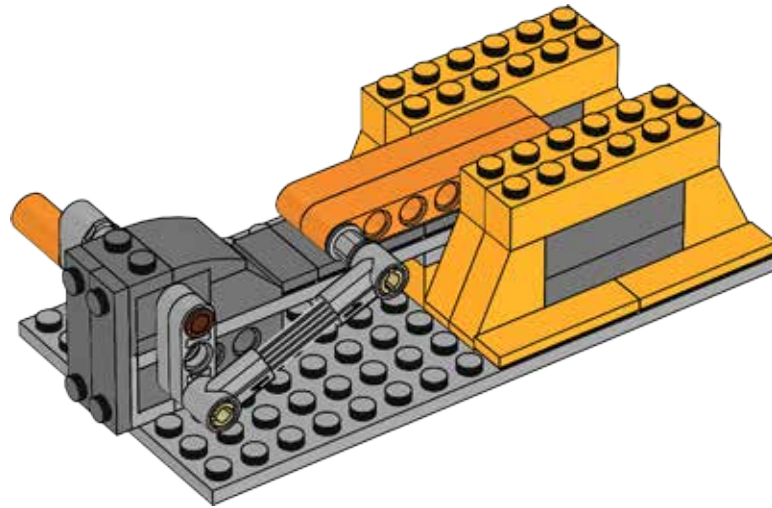


37

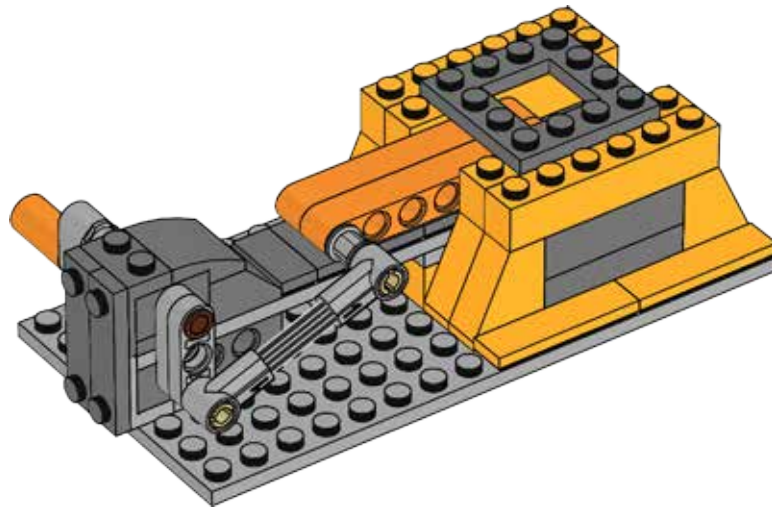


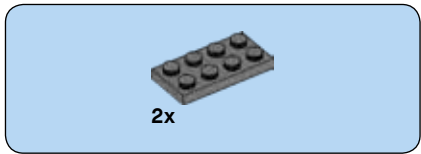


38

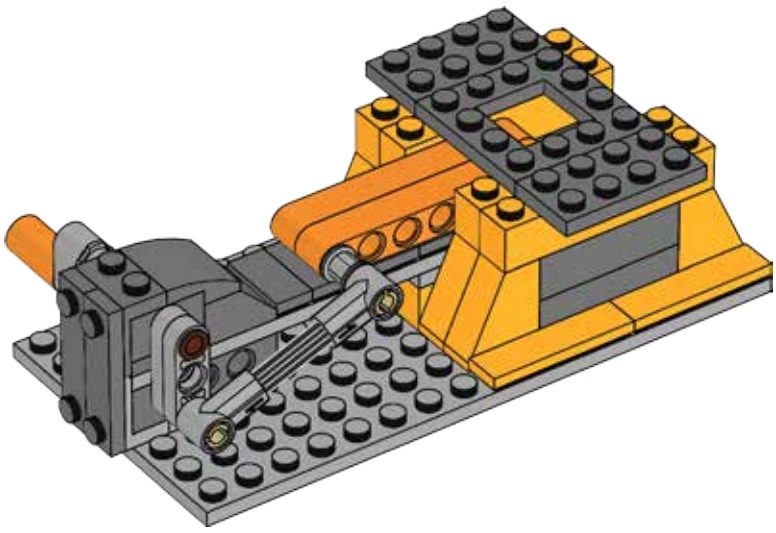


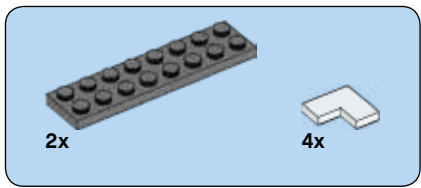
39



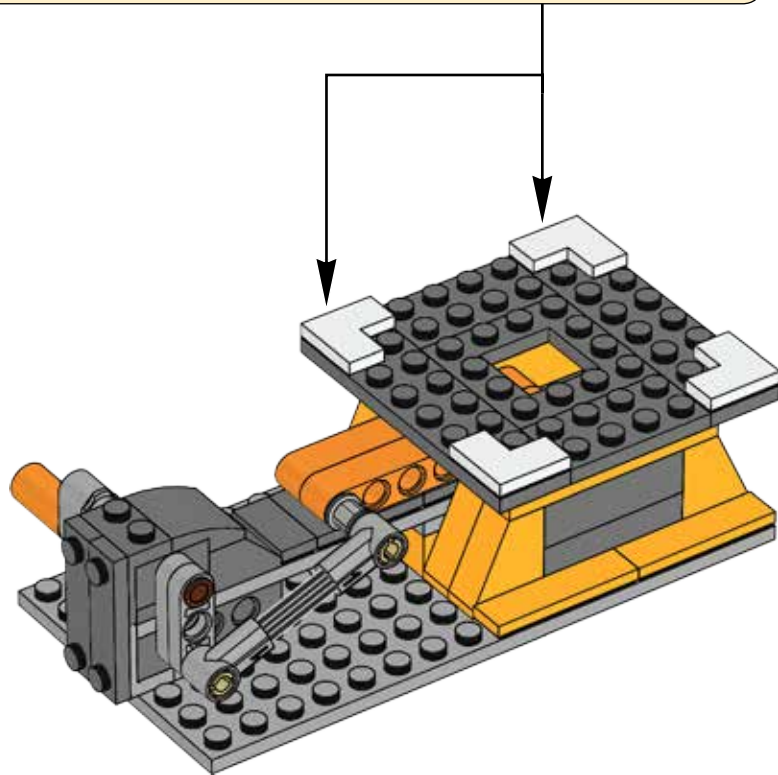
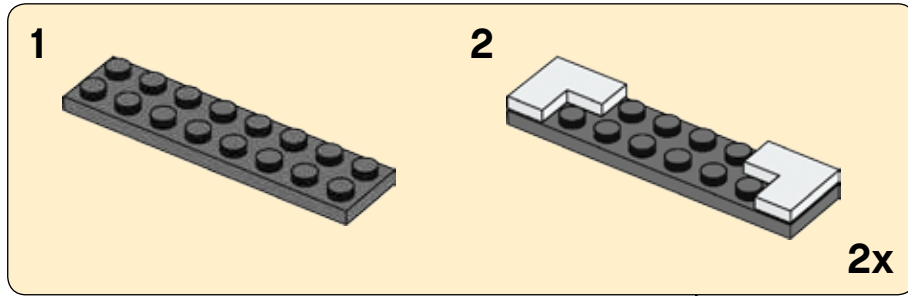


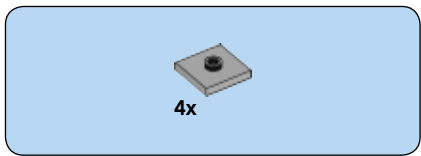
40



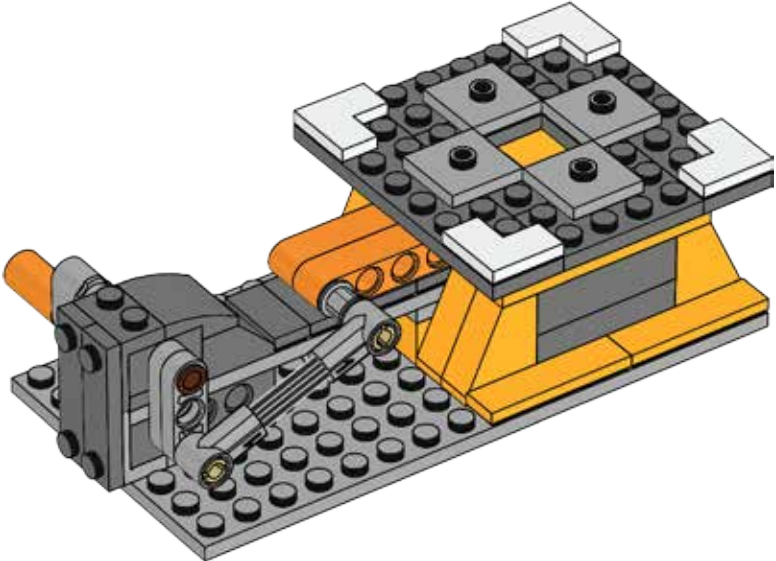


41

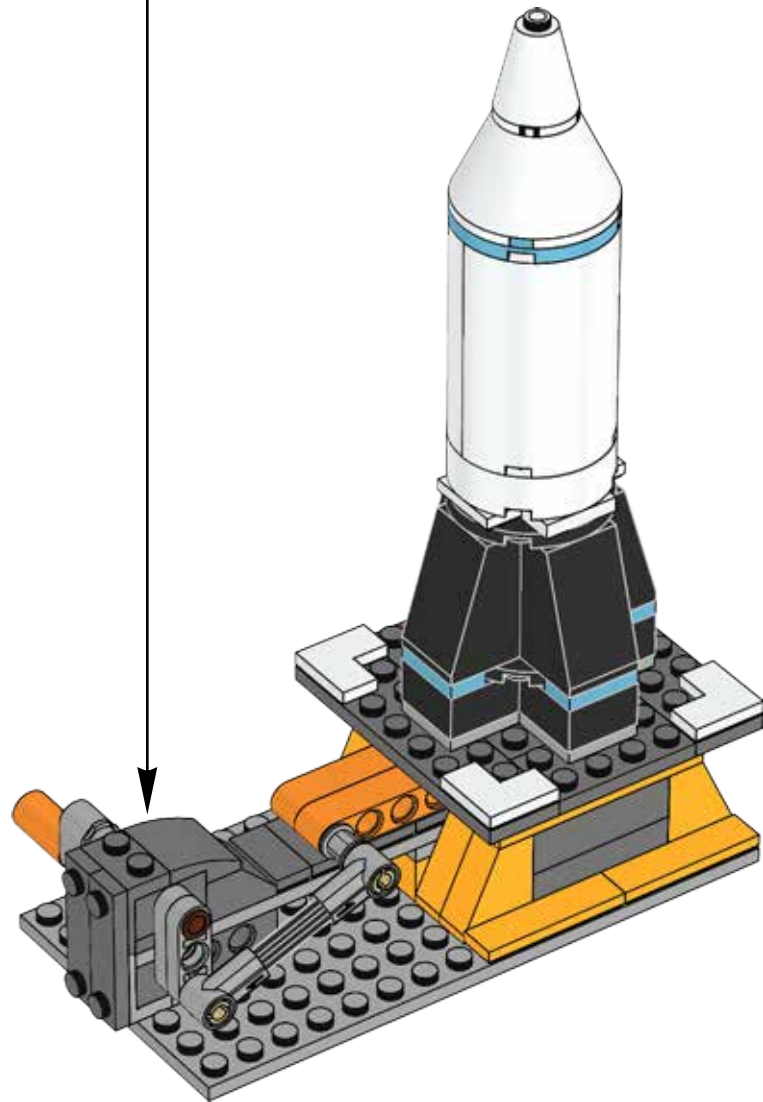


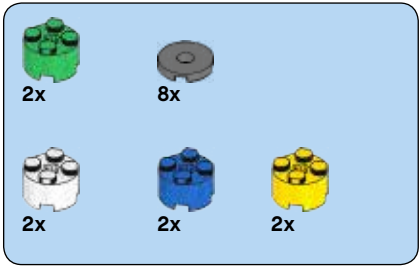
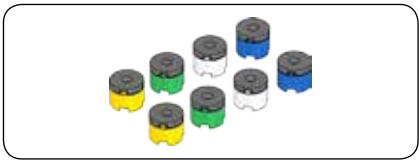


42

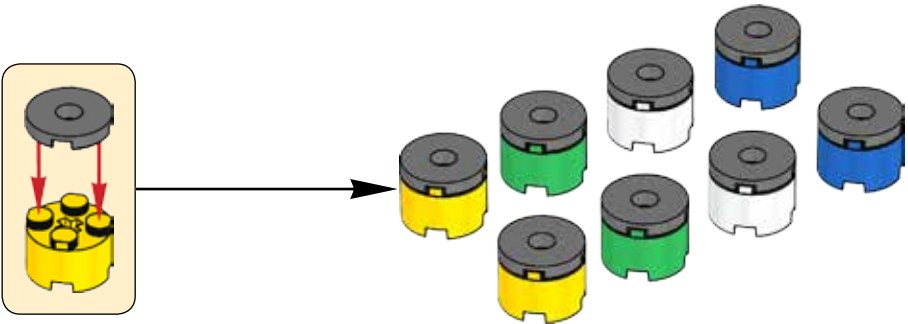


43





44



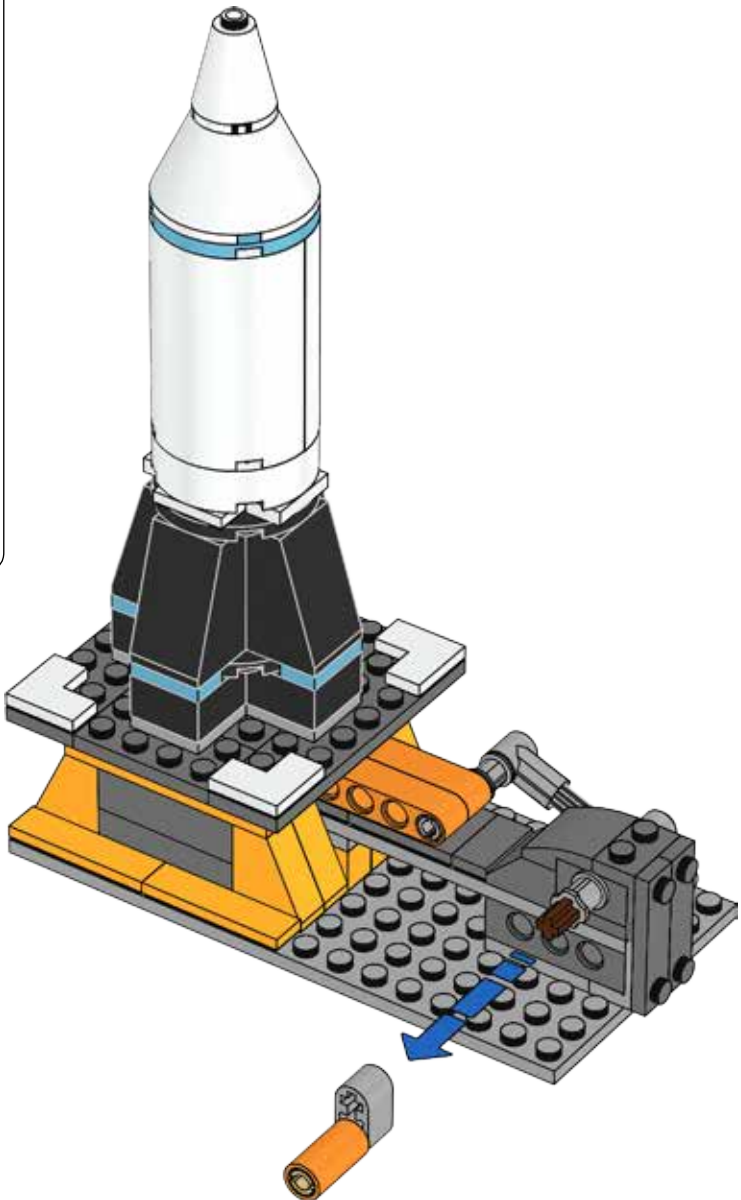


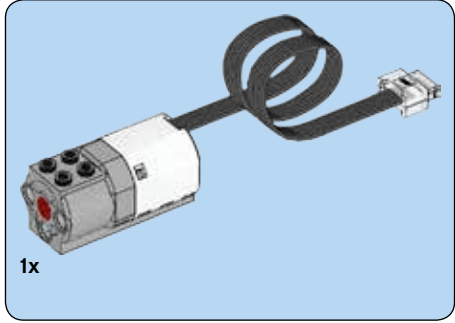
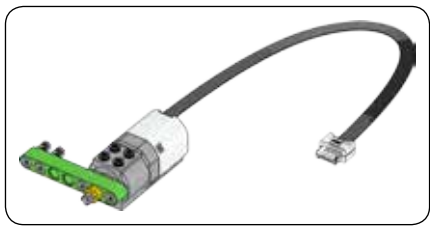


FIRST® LEGO® League Jr. 45807 + 45300

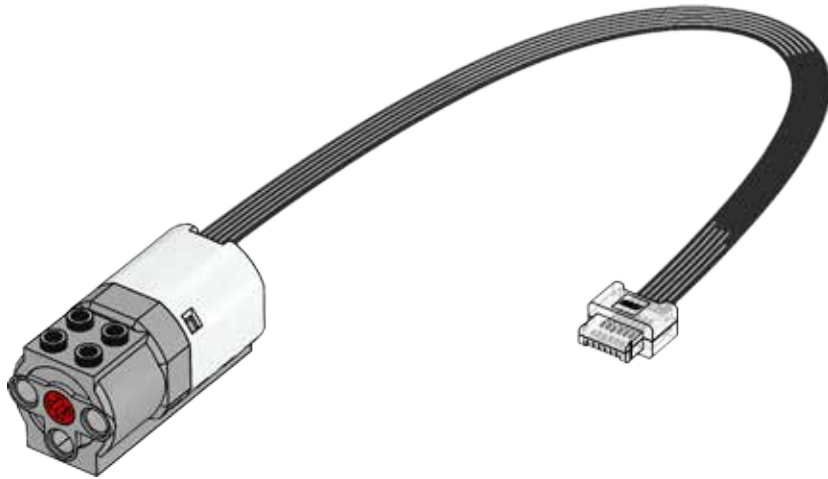


1

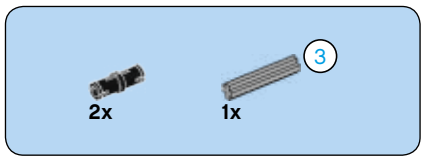




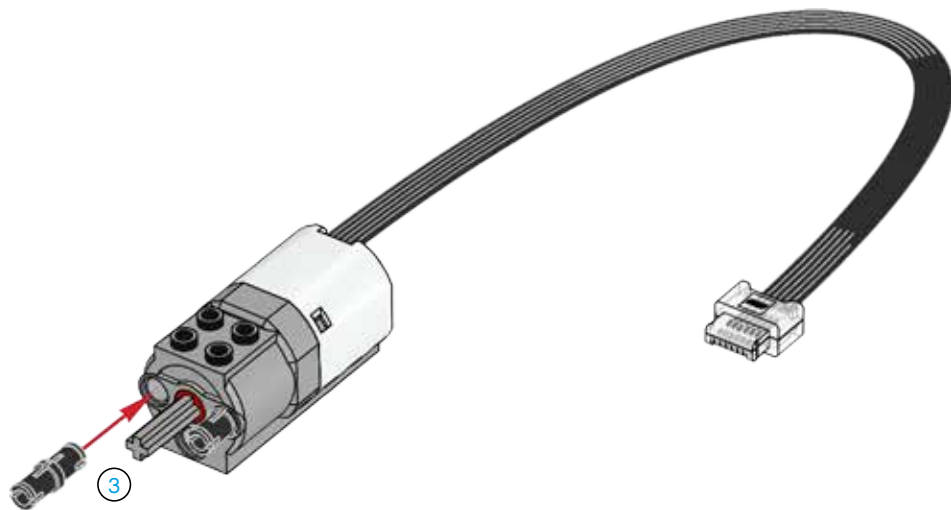
2

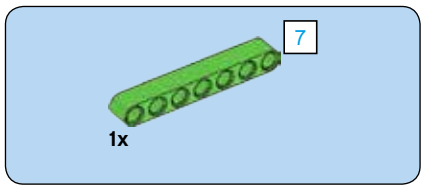


1

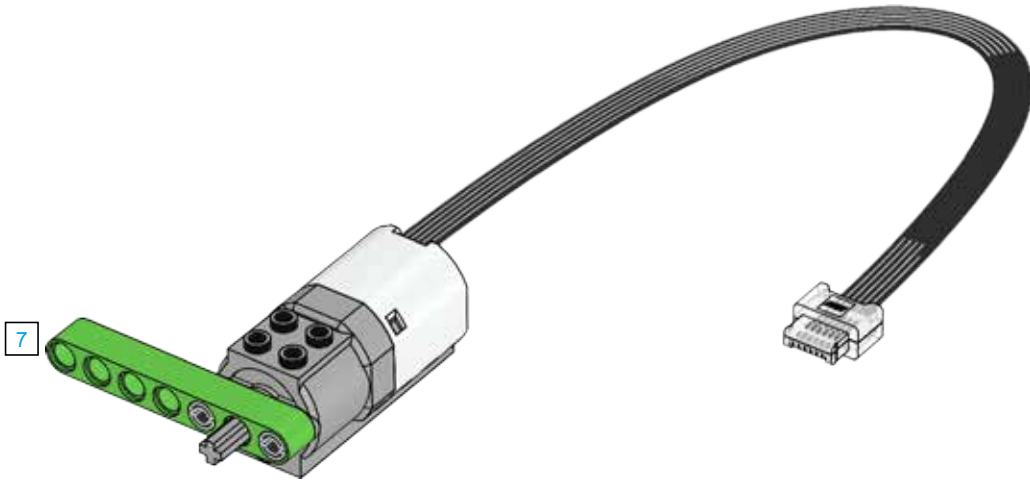


3



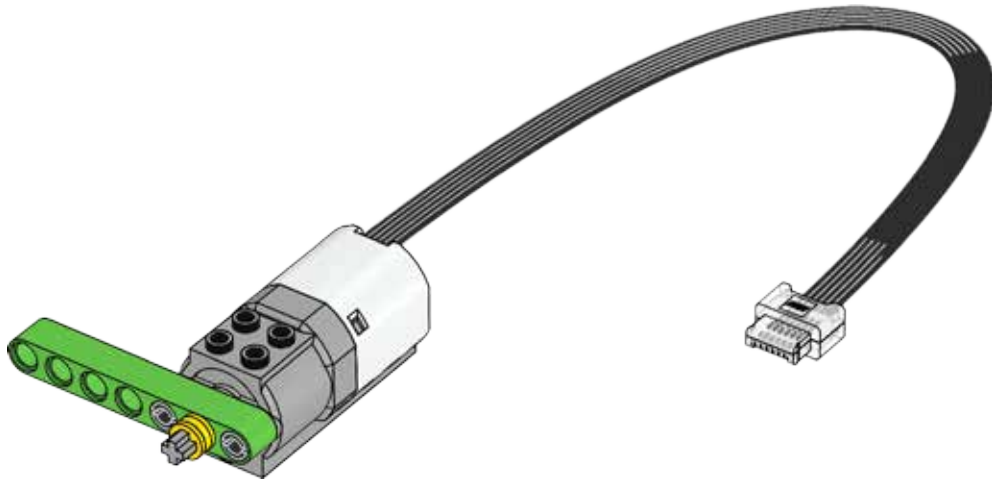


4



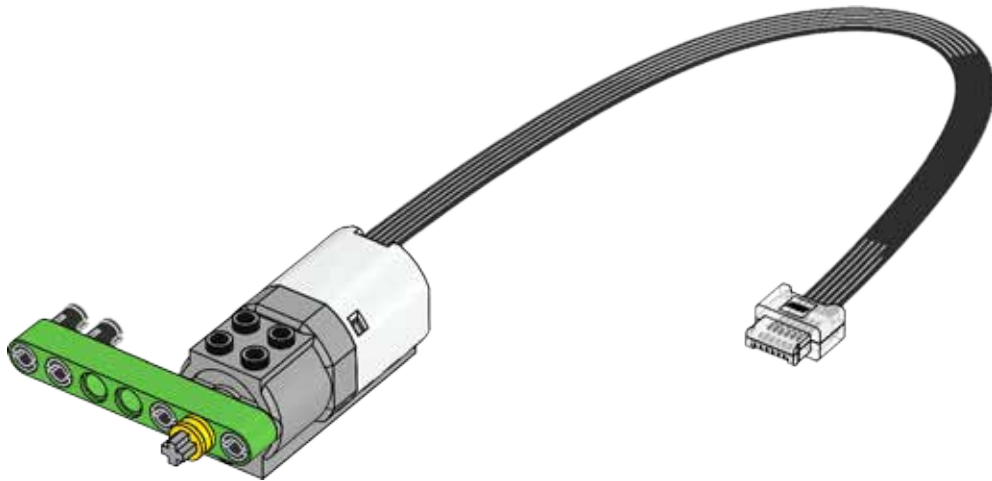
1x

5

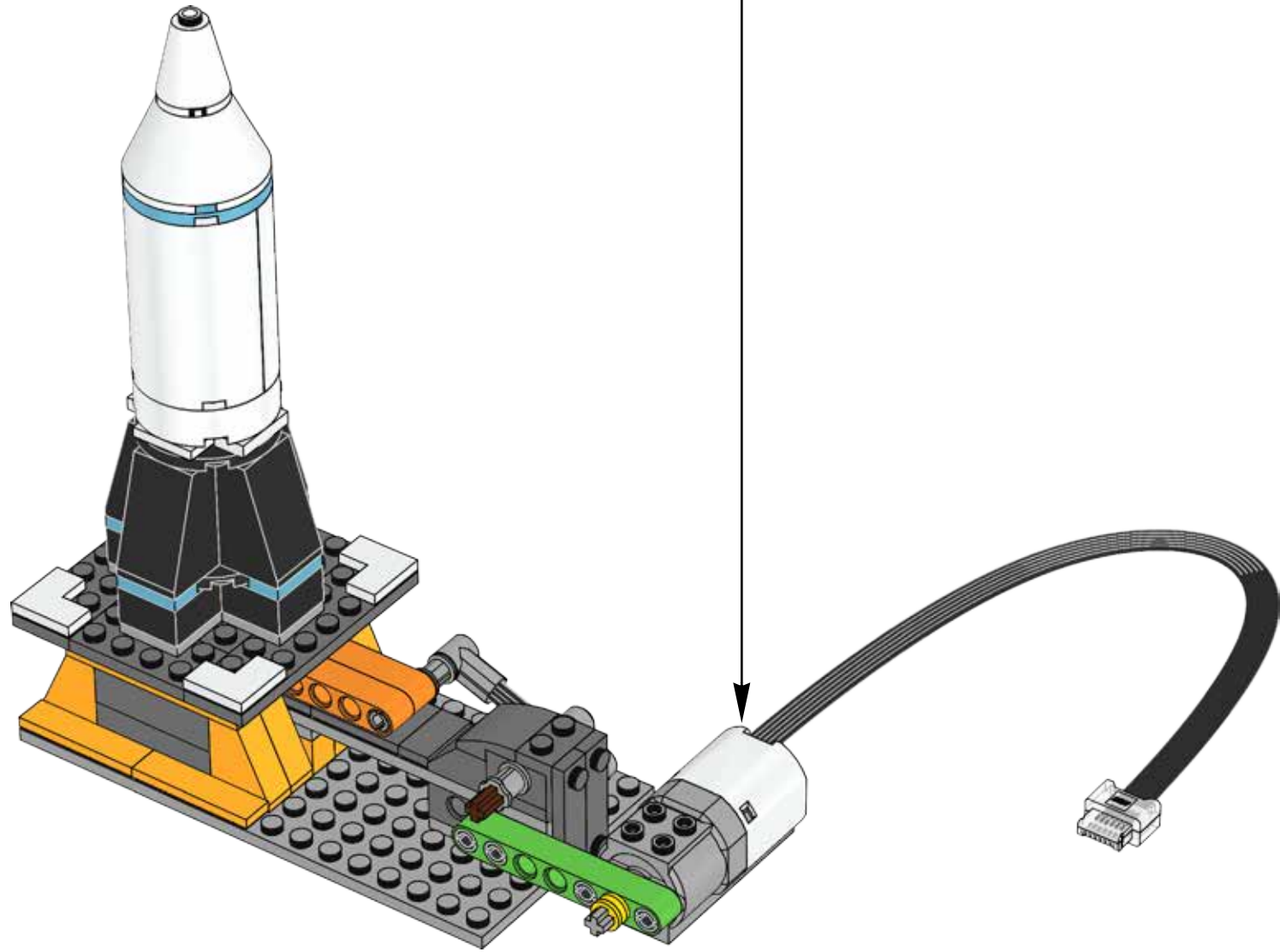




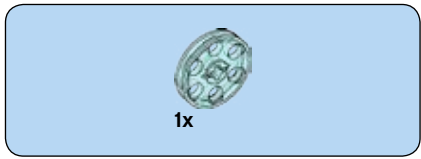
6



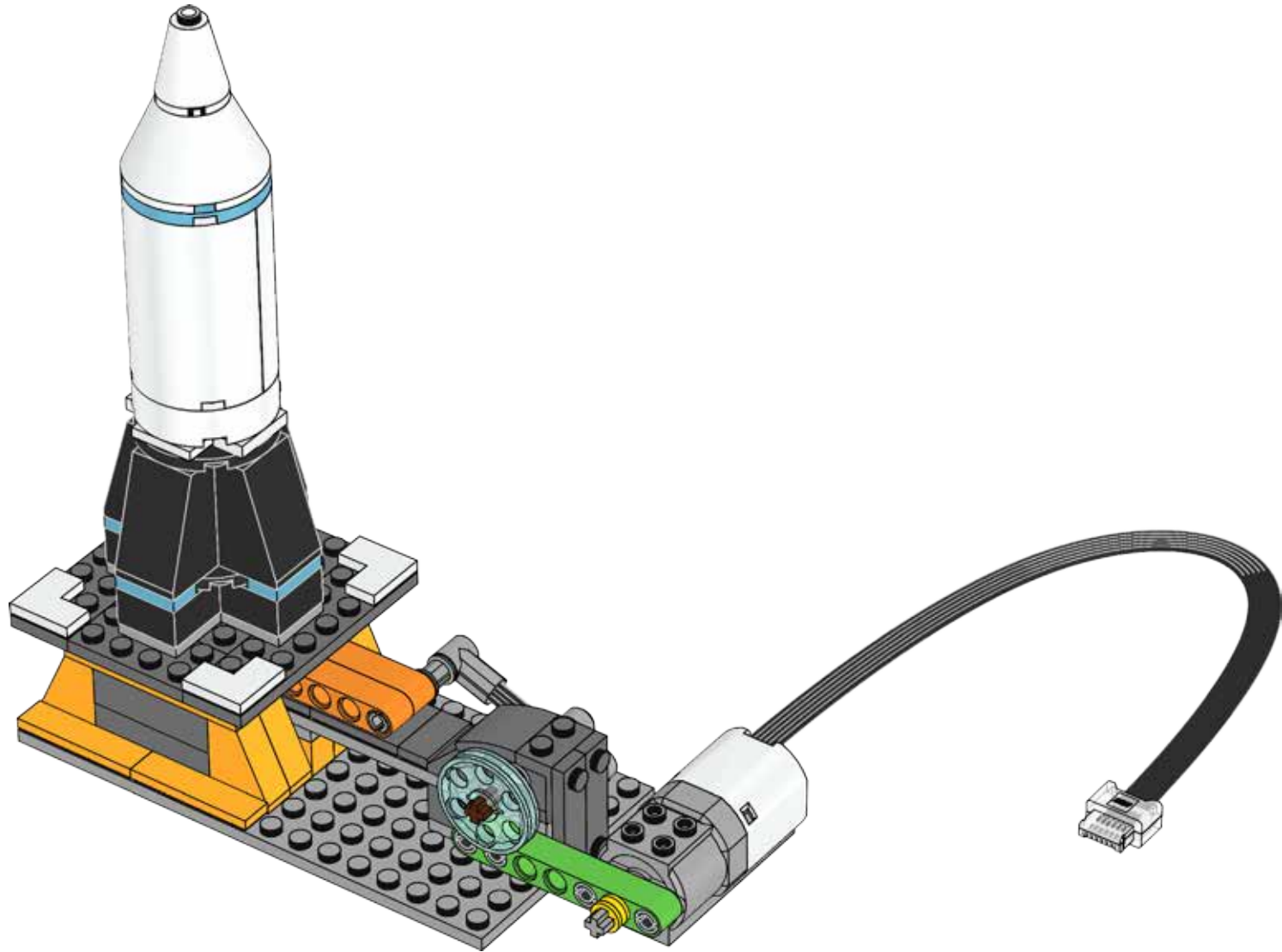
7

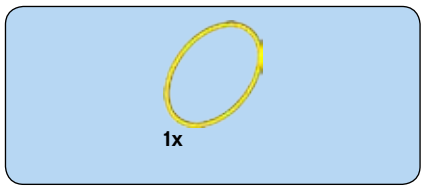


1

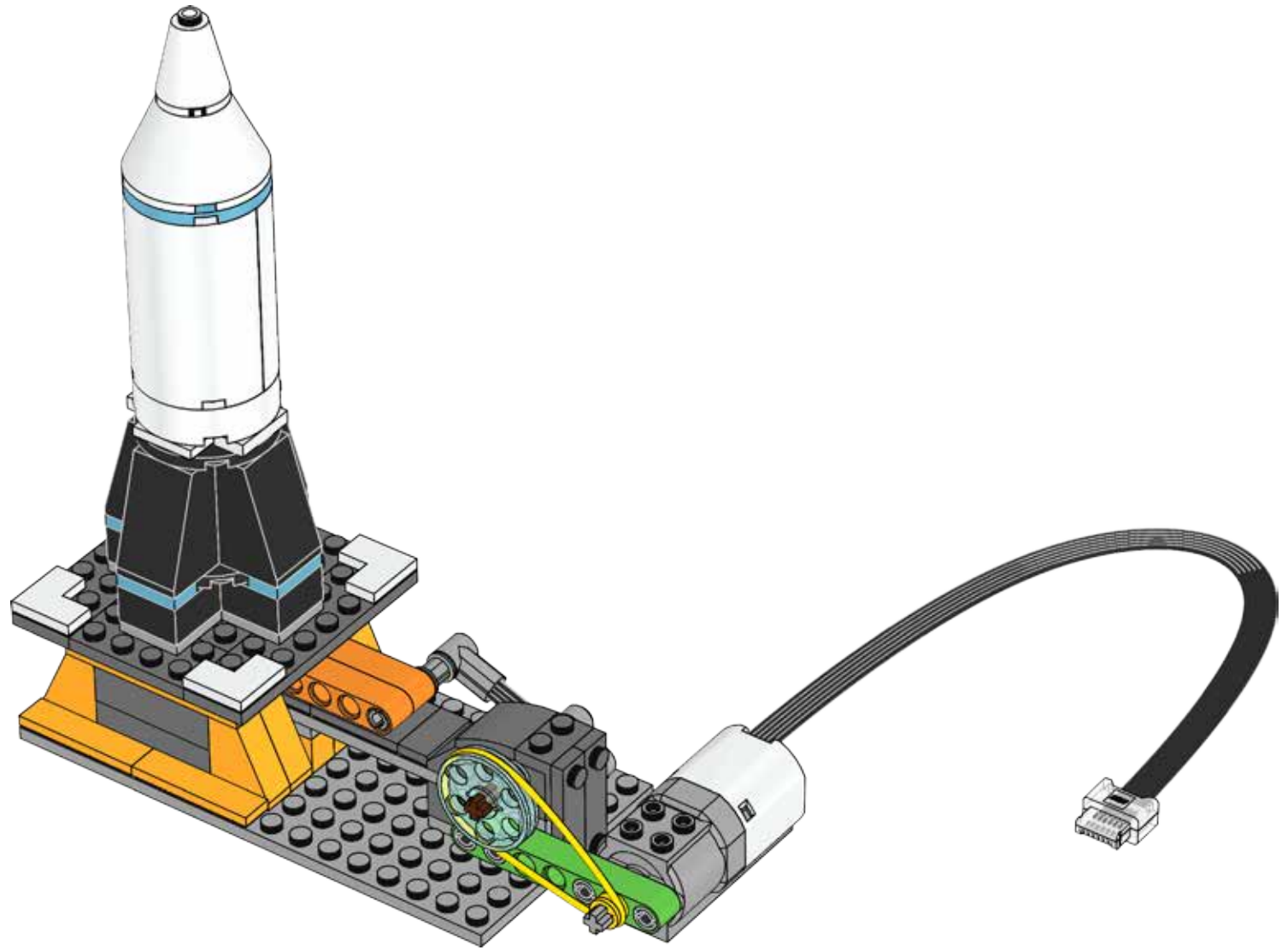


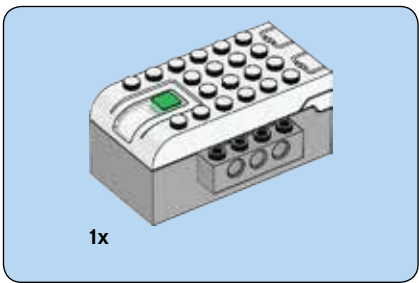
8



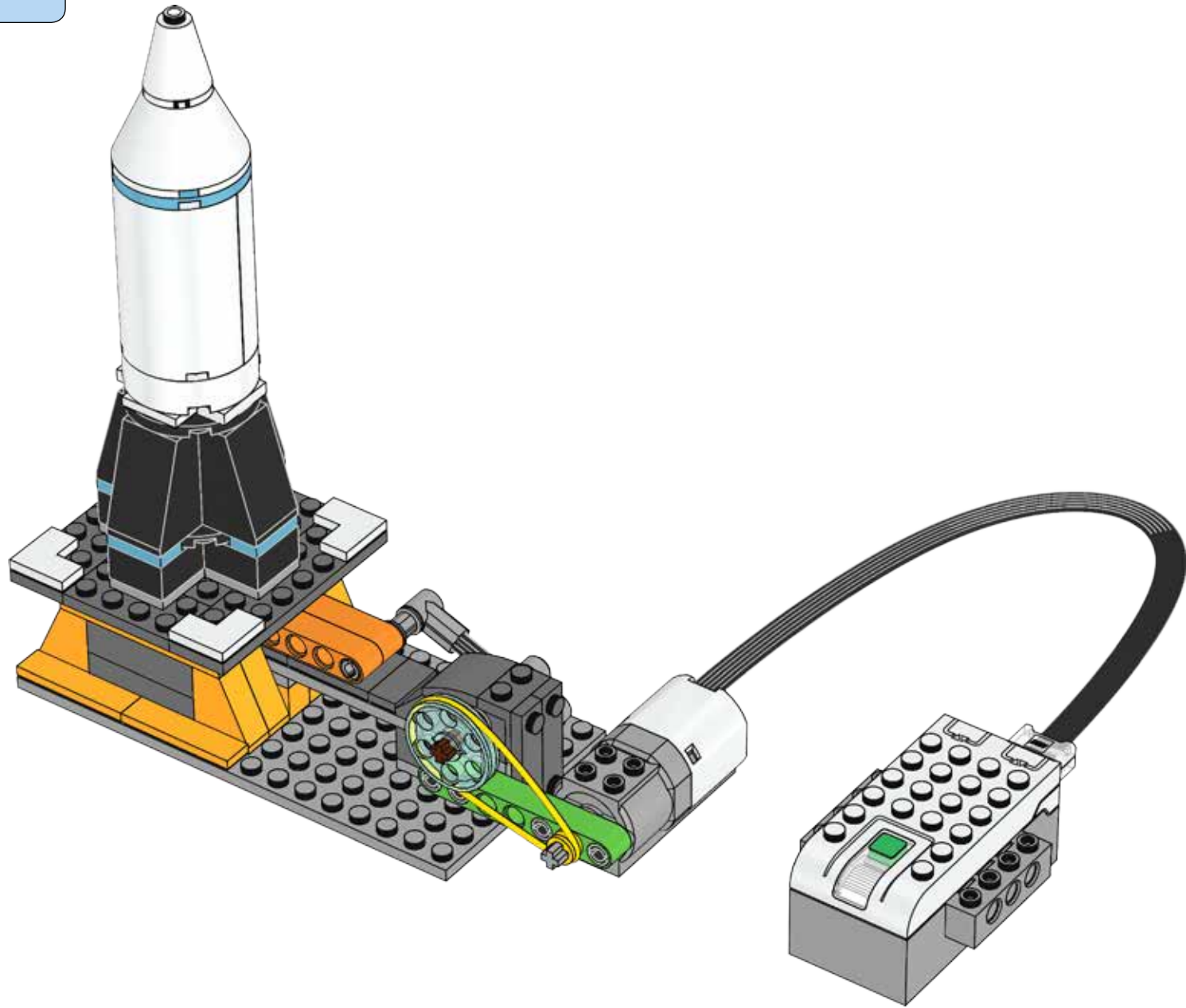


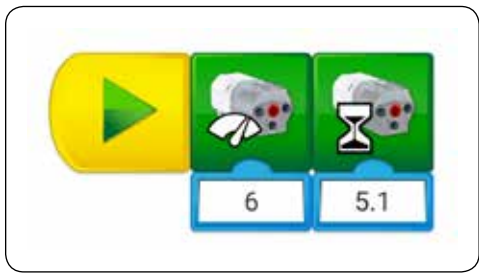
9





10





1

LEGO and the LEGO logo are trademarks of the/sont des marques de commerce du/son marcas registradas de LEGO Group. ©2018 The LEGO Group.

FIRST® is a registered trademark of For Inspiration and Recognition of Science and Technology (FIRST). LEGO® is a registered trademark of the LEGO Group. FIRST® LEGO® League Jr. and MISSION MOON™ are jointly held trademarks of FIRST® and the LEGO Group.

©2018 FIRST® and the LEGO Group. All rights reserved.